

(19) World Intellectual Property Organization
International Bureau



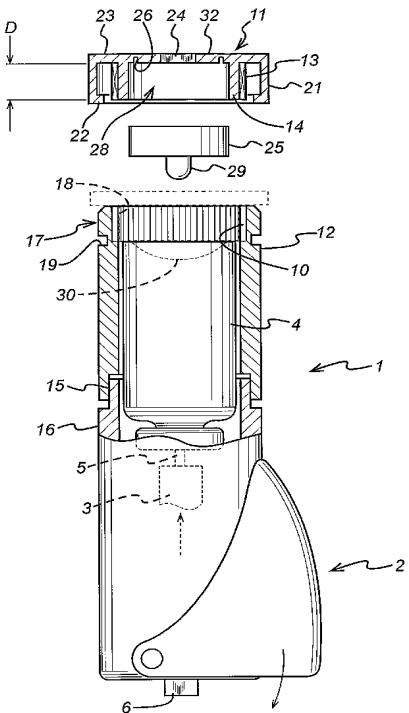
(43) International Publication Date
23 June 2005 (23.06.2005)

PCT

(10) International Publication Number
WO 2005/056090 A1

- (51) International Patent Classification⁷: A61M 15/00, (72) Inventor; and
A61J 7/00 (75) Inventor/Applicant (for US only): BACON, Raymond,
John [GB/GB]; Steep Farm, Steep, Petersfield, Hampshire
GU32 2DB (GB).
- (21) International Application Number: PCT/GB2004/005165 (74) Agent: BROOKS, Nigel; Hill Hampton, East Meon, Pe-
tersfield, Hampshire GU32 1QN (GB).
- (22) International Filing Date: 10 December 2004 (10.12.2004) (81) Designated States (unless otherwise indicated, for every
kind of national protection available): AE, AG, AL, AM,
AT, AU, AZ, BA, BB, BG, BR, BW, BY, BZ, CA, CH, CN,
CO, CR, CU, CZ, DE, DK, DM, DZ, EC, EE, EG, ES, FI,
GB, GD, GE, GH, GM, HR, HU, ID, IL, IN, IS, JP, KE,
KG, KP, KR, KZ, LC, LK, LR, LS, LT, LU, LV, MA, MD,
MG, MK, MN, MW, MX, MZ, NA, NI, NO, NZ, OM, PG,
PH, PL, PT, RO, RU, SC, SD, SE, SG, SK, SL, SY, TJ, TM,
TN, TR, TT, TZ, UA, UG, US, UZ, VC, VN, YU, ZA, ZM,
ZW.
- (25) Filing Language: English (84) Designated States (unless otherwise indicated, for every
kind of regional protection available): ARIPO (BW, GH,
[Continued on next page]
- (26) Publication Language: English
- (30) Priority Data: 0328859.4 12 December 2003 (12.12.2003) GB
- (71) Applicant (for all designated States except US): CLINI-
CAL DESIGNS LIMITED [GB/GB]; The Dower House,
Aldsworth, Emsworth, Hampshire PO10 8QT (GB).

(54) Title: DISPENSER AND COUNTER



(57) Abstract: The dispenser has a body (1), with a mouthpiece cover (2). Opening of the cover urges a junction member (3) towards a source (4) of a medicament to be released as a dose by pressing a spout (5) of the source inwards of the source. The source is supported by a cap (11) clipped to the end of a source-enclosing barrel (12) with internal splines (10). The barrel is welded (15) to the main to part (16) of the body at a position determined by the extension of the source towards the distal end (17) of the barrel when the cover is open, the welding position being determined by a plug (18) simulating the cap and its bush.

WO 2005/056090 A1



GM, KE, LS, MW, MZ, NA, SD, SL, SZ, TZ, UG, ZM, ZW), Eurasian (AM, AZ, BY, KG, KZ, MD, RU, TJ, TM), European (AT, BE, BG, CH, CY, CZ, DE, DK, EE, ES, FI, FR, GB, GR, HU, IE, IS, IT, LT, LU, MC, NL, PL, PT, RO, SE, SI, SK, TR), OAPI (BF, BJ, CF, CG, CI, CM, GA, GN, GQ, GW, ML, MR, NE, SN, TD, TG).

Published:

— with international search report

— before the expiration of the time limit for amending the claims and to be republished in the event of receipt of amendments

For two-letter codes and other abbreviations, refer to the "Guidance Notes on Codes and Abbreviations" appearing at the beginning of each regular issue of the PCT Gazette.